







Residential Energy Storage System

Low Voltage Product Manual



LOW VOLTAGE BATTERY

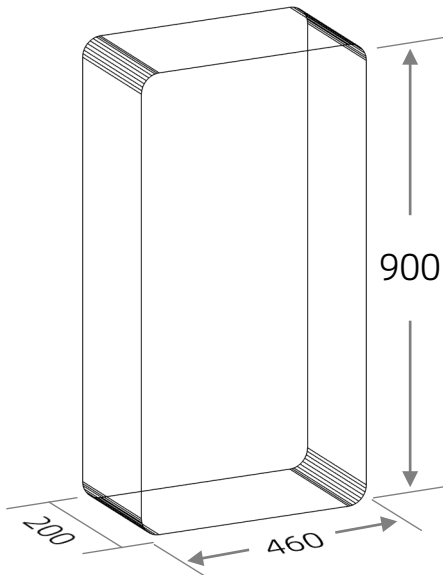
POWERHUB-L 12.0

-  Compact Size
-  High Efficiency
-  Easy Installation
-  High Energy Density
-  Excellent Safety of **CATL** LiFeO₄ Cells




Function Interface
Datasheet
POWERHUB-L 12.0
Battery Data

Nominal Voltage	51.2 V
Capacity	240 Ah
Nominal Energy	12.28kWh
Discharge Voltage	45~54 V
Charge Voltage	51.5~54 V
Cont. Charge Current	100 A
Cont. Discharge Current	100 A
Max. Discharge Current	125 A
Cont. Discharge DC Power	5000 W
Max. Discharge DC Power	10000 W / More than 2 units in parallel
Operating Temperature	0~45°C (Charge); -20~45°C (Discharge)


Datasheet
POWERHUB-L 12.0
General Data

Dimensions (W*H*D) 460 mm × 900 mm × 200 mm

Weight 112kg

Scalability Up to 4 units

DOD 90%

Communication CAN2.0 / RS485

Cycle Life > 6000

IP Grade IP 32

Installation Wall or Floor mount

Warranty 5 Years

Certifications UN38.3, CE, CE , ROHS , REACH , UKCA , CB (Both Cell & Pack)

SINGLE PHASE INVERTER

PHINV-6KTL-SL

Friendly & Flexible

- Support multi-machine parallel connection;
- Support flexible access to diesel generators;
- Compatible with lead-acid and lithium-ion battery access

Economical & Practical

- Support intelligent EMS management function;
- Support and/off-grid automatic switching function to ensure that important loads are constantly powered when off-grid;

Safe & Reliable

Passed IEC/EN62109-1/-2, IEC/EN62477-1, South Africa NRS097-2-1; 2017, IEC/EN 61000-6-1, IEC/EN 61000-6-3 Test Certification.

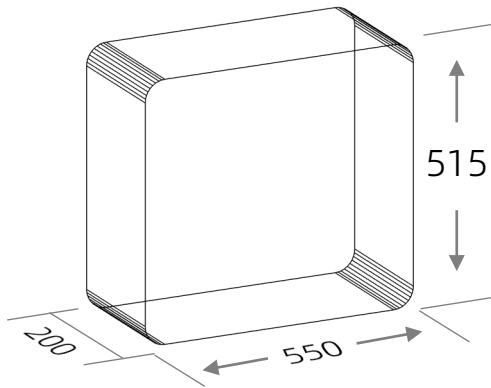



Datasheet
PHINV-6KTL-SL
Input Data (PV)

Maximum Power	7 kW
Max. DC Voltage	550 V
MPPT Voltage Range	125~500 V
Single MPPT Max. Input Current	14 A
MPPT Number/ Max. Number of Parallel Groups	2/1

Output Data (AC)

Rated Output Power	6 kVA
Max. Output Current	26 A
Grid Voltage Range	230 / 176~270 V
Grid Frequency	50 / 60 Hz
Power Factor	-0.99 ~ +0.99
THDi	< 3%
Type pf Grid Connection	L + N + PE


Datasheet
PHINV-6KTL-SL
General Data

Dimensions (W*H*D)	550 mm × 515 mm × 200 mm
Weight	25kg
Battery Charge/Discharge Efficiency	95.0%
Max. Efficiency	97.6%
European Efficiency	97.0%
MPPT Efficiency	99.9%
IP Grade	IP 65
Noise	< 35 dB
Ambient Temperature Range	-25 ~ 60 °C
Cooling Mode	Free Cooling
Ambient Humidity Range	0~95% Condensation Free
Altitude	Non-De-rating Under 2000m
Isolation Transformer	None
Shutdown Power Consumption	< 3 W

Datasheet**PHINV-6KTL-SL****Battery Data**

Voltage Range	40~58 V
Max. Charge Voltage	58 V
Max. Charge / Discharge Current	95 / 110 A
Battery Type	Lithium Cell / Lead-acid Cell
Communication Port	CAN / RS485

Emergency Power Output (EPS)

Rated Power	6 kVA
Rated Output Voltage	
Rated Output Current	26 A
Rated Output Frequency	50 / 60 Hz
Auto Switch Time	< 20 ms
THDu	< 2%
Overload Capacity	110%, 30S / 120%, 10S / 150%, 0.02S

Display & Communication

Display	LCD
Communication	RS485/CAN/DRM, Wifi/4G is optional
Safety Standard	IEC/EN62109-1/-2, IEC/EN62477-1
EMC	IEC/EN 61000-6-1, IEC/EN 61000-6-3
On-grid	South Africa NRS097-2-1:2017, UK G98,G99

TO BE YOUR HOME ENERGY MANAGER

Shanghai, China

3F, Building 3, No.477 Zhongbai Road,
Jiading District, Shanghai, China

Beijing, China

Building 10, Yard 6, Zone B, China
Meteorological Science and Technology
Industrial Park, Haidian District, Beijing,
China

Netherlands

Spoweress B.V., Boompjes 40, 3011XB
Rotterdam, The Netherlands

Contact Us

www.spoweress.com

+86-13810794408

service@spoweress.com